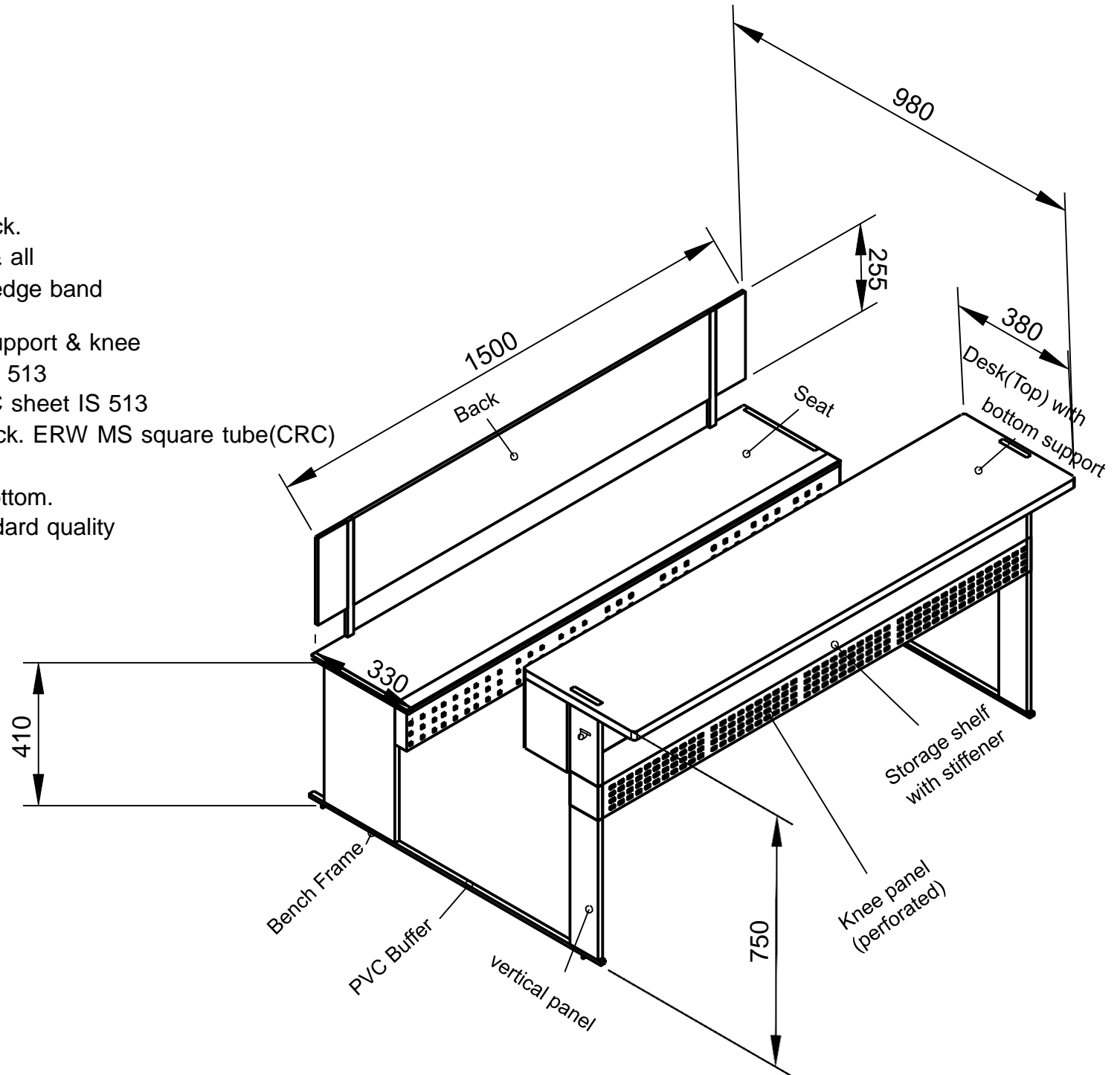


3 Seater Desk Cum Bench

- Seat Height:- 410 mm
- Age Group:- 15 & above
- Overall size:- 1500W X 980D X 750H mm

Material Description:-

- Desk Panel, Seat & Backrest of 18mm thick. Pre-Laminated Partical board (PLB) with & all edges are sealed with 0.5mm thick. PVC edge band all corners rounded.
- Strong Shelf with stiffener, Desk bottom support & knee Panel of 0.8mm(2swg) thick.CRC sheet IS 513
- Vertical Panel of 1.2mm(18swg) thick.CRC sheet IS 513
- Bench Frame of 25x25x1.5mm(16swg) thick. ERW MS square tube(CRC)
- Side Hooks of 6.0mm dia MS Rod.
- Good quality PVC Cap & PVC Buffer at bottom.
- All Steel parts of powder coated with standard quality powder after 10 tanks anti-rust treatment.



2 Seater Desk Cum Bench

- Seat Height:- 410 mm
- Age Group:- 15 & above
- Overall size:- 1048W X 980D X 750H mm

Material Description:-

- Desk Panel, Seat & Backrest of 18mm thick. Pre-Laminated Particle board (PLB) with & all edges are sealed with 0.5mm thick. PVC edge band all corners rounded.
- Strong Shelf with stiffener, Desk bottom support & knee Panel of 0.8mm(2swg) thick. CRC sheet IS 513
- Vertical Panel of 1.2mm(18swg) thick. CRC sheet IS 513
- Bench Frame of 25x25x1.5mm(16swg) thick. ERW MS square tube(CRC)
- Side Hooks of 6.0mm dia MS Rod.
- Good quality PVC Cap & PVC Buffer at bottom.
- All Steel parts of powder coated with standard quality powder after 10 tanks anti-rust treatment.

